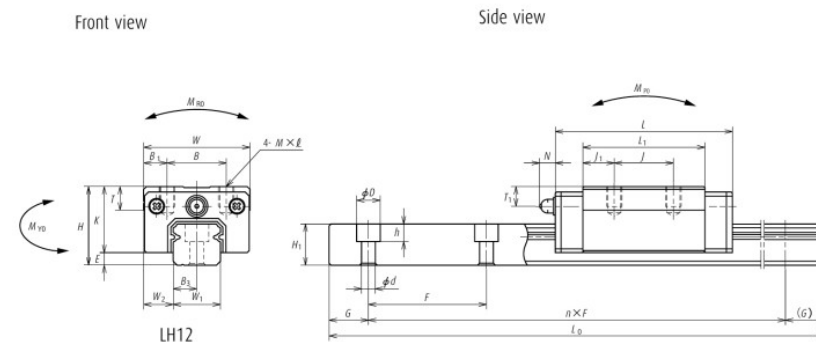
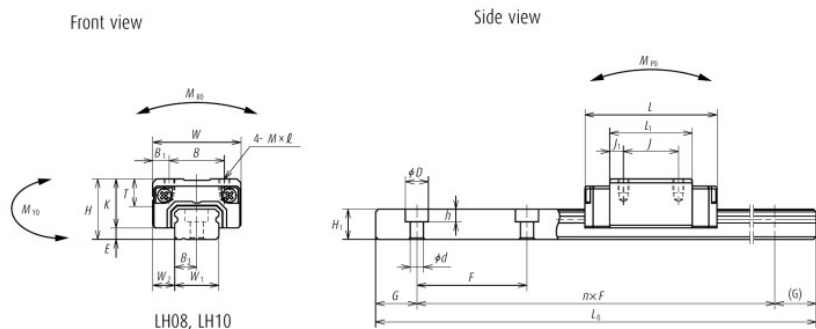
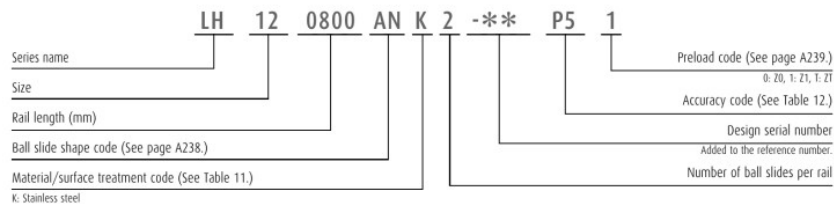


A-5-2.5 Miniature LH Series

9. Dimensions



Unit: mm

Model No.	Assembly			Ball slide									Width	Height		
	Height	E	W ₂	Width	Length	Mounting hole			L ₁	K	T	Grease fitting				
						B	J	M × pitch × l				Hole size			T ₁	N
LH08AN	11	2.1	4	16	24	10	10	M2.0×0.4×2.5	15	8.9	—	—	—	—	8	5.5
LH10AN	13	2.4	5	20	31	13	12	M2.6×0.45×3	20.2	10.6	6	—	—	—	10	6.5
LH12AN	20	3.2	7.5	27	45	15	15	M4×0.7×5	31	16.8	6	φ 3	5	4	12	10.5

Notes 1) LH08 does not have a ball retainer. Be aware that balls fall out when the ball slide is withdrawn from the rail.

Rail				Basic load rating								Weight	
Pitch	Mounting bolt hole	G	Maximum length	2) Dynamic		Static	M _{RO}	Static moment (N·m)				Ball slide	Rail
				[50km]	[100km]			M _{PO}		M _{YO}			
				C ₅₀ (N)	C ₁₀₀ (N)	C ₀ (N)		One slide	Two slides	One slide	Two slides	(g)	(g/100 mm)
20	2.4×4.2×2.3	7.5	375	1 240	985	2 630	7.25	4.55	32.5	3.8	27.2	13	31
25	3.5×6×3.5	10	600	2 250	1 790	4 500	16.2	10.5	73.0	8.8	61.0	26	44
40	3.5×6×4.5	15	800	5 650	4 500	11 300	47.5	41.5	254	35	214	82	88

2) The basic load rating comply with the ISO standard. (ISO 14728-1, 14728-2)
C₅₀: the basic dynamic load rating for 50 km rated fatigue life C₁₀₀; the basic dynamic load rating for 100 km rated fatigue life