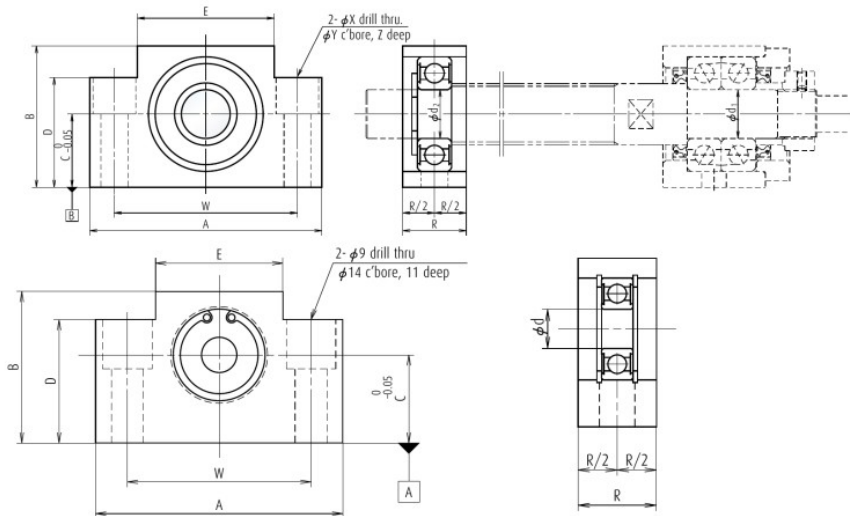


Accessories

Support Unit (Support Units for Light Load and Small Equipment)



Simple support side support unit (square type)

Unit: mm

Reference No.	Use	d ₂	A	B	C	D	E	R	Counterbore dimensions				Mass (kg)
									W	X	Y	Z	
WBK08S-01	General	6	52	32	17	26	25	15	38	6.6	11	12	0.15
WBK08S-01B	Low type	6	62	31	15.5	31	—	16	46	9	14	18	0.2
WBK08S-01C	Clean environment	6	52	32	17	26	25	15	38	6.6	11	12	0.15
WBK10S-01	General	8	70	43	25	35	36	20	52	9	14	11	0.4
WBK10S-01C	Clean environment	8	70	43	25	35	36	20	52	9	14	11	0.4
WBK12S-01	General	10	70	43	25	35	36	20	52	9	14	11	0.35
WBK12S-01B	Low type	10	70	38	20	38	—	20	52	9	14	19	0.4
WBK12S-01C	Clean environment	10	70	43	25	35	36	20	52	9	14	11	0.35
WBK12SF-01*2	General	12	70	43	25	35	36	20	52	9	14	11	0.3
WBK12SF-01B*1	Low type	12	62	31	15.5	31	—	18	46	9	14	18	0.2
WBK15S-01	General	15	80	50	30	40	41	20	60	9	14	11	0.45
WBK15S-01B	Low type	15	80	42	22	42	—	20	60	9	14	23	0.4
WBK15S-01C	Clean environment	15	80	50	30	40	41	20	60	9	14	11	0.45
WBK15SF-01*2	General	15	70	43	25	35	36	20	52	9	14	11	0.3
WBK15SF-01B*1	Low type	15	70	38	20	38	—	18	52	9	14	19	0.3
WBK17S-01	General	17	86	64	39	55	50	23	68	9	14	11	0.8
WBK20S-01	General	20	95	58	30	45	56	26	75	11	17	15	0.8
WBK20SF-01B	Low type	20	80	42	22	42	—	22	60	11	17	23	0.4
WBK25S-01W	General	25	105	68	35	25	66	30	85	11	—	—	0.9
WBK25SF-01*1	General	25	95	58	30	45	56	22	75	11	17	15	0.55

- Notes
1. Use datum surface B for mounting to machine base.
 2. For reference No. 12 or lower numbers, note that the reference numbers and inner dimensions of the bearing are different.
 3. WBK ** SF is a type supporting screw shaft OD.
 4. See page B400 for bearing reference number and the basic dynamic load rating in the radial direction.
 5. *1 is exclusive for FSS type.
 6. *2 is exclusive for VFA type.

B 399

Specifications of support unit

Fixed support side support unit						Reference No.	Bearing reference No.	Radial direction Basic dynamic load rating C [N]
Reference No.	Use	Axial direction			Maximum starting torque [N·cm]			
		Basic dynamic load rating Ca [N]	Load limit [N]	Rigidity [N/μm]				
WBK04-01M	General	1 470	464	39	0.2	—	—	—
WBK04-11M	General	1 470	464	39	0.2	—	—	—
WBK06-01A	General	2 670	1 040	28	0.49	—	—	—
WBK06-01M	General	2 760	854	60	0.35	—	—	—
WBK06-11	General	2 670	1 040	28	0.49	—	—	—
WBK06-11M	General	2 760	854	60	0.35	—	—	—
WBK08-01A	General	4 400	1 450	49	0.88	WBK08S-01	606ZZ	2 260
WBK08-01B	Low type	6 600	2 730	94	1.9	WBK08S-01B	606ZZ	2 260
WBK08-01B	Low type	6 600	2 730	94	1.9	WBK12SF-01B*1	6801ZZ	1 920
WBK08-01C	Clean environment	3 100	1 100	36	0.52	WBK08S-01C	606VV	2 260
WBK08-11	General	4 400	1 450	49	0.88	WBK08S-01	606ZZ	2 260
WBK08-11B	High load	6 600	2 730	94	1.9	—	606ZZ	2 260
WBK08-11C	Clean environment	3 100	1 100	36	0.52	WBK08S-01C	606VV	2 260
WBK10-01A	General	6 600	2 730	94	1.9	WBK10S-01	608ZZ	3 300
WBK10-01A	General	6 600	2 730	94	1.9	WBK12SF-01*2	6001ZZ	5 100
WBK10-01B	Low type	6 600	2 730	94	1.9	—	608ZZ	3 300
WBK10-01C	Clean environment	4 250	1 364	50	1.1	WBK10S-01C	608VV	3 300
WBK10-11	General	6 600	2 730	94	1.9	WBK10S-01	608ZZ	3 300
WBK10-11C	Clean environment	4 250	1 364	50	1.1	WBK10S-01C	608VV	3 300
WBK12-01A	General	7 100	3 040	104	2.1	WBK12S-01	6000ZZ	4 550
WBK12-01A	General	7 100	3 040	104	2.1	WBK15SF-01*2	6902ZZ	4 350
WBK12-01B	Low type	7 100	3 040	104	2.1	WBK12S-01B	6000ZZ	4 550
WBK12-01B	Low type	7 100	3 040	104	2.1	WBK15SF-01B*1	6902ZZ	4 350
WBK12-01C	Clean environment	4 700	2 443	57	1.2	WBK12S-01C	6000VV	4 550
WBK12-11	General	7 100	3 040	104	2.1	WBK12S-01	6000ZZ	4 550
WBK12-11C	Clean environment	4 700	2 443	57	1.2	WBK12S-01C	6000VV	4 550
WBK15-01A	General	7 600	3 380	113	2.4	WBK15S-01	6002ZZ	5 600
WBK15-01B	Low type	7 600	3 380	113	2.4	WBK15S-01B	6002ZZ	5 600
WBK15-01B	Low type	7 600	3 380	113	2.4	WBK20SF-01B*1	6804ZZ	4 000
WBK15-01C	Clean environment	5 100	2 757	63	1.3	WBK15S-01C	6002VV	5 600
WBK15-11	General	7 600	3 380	113	2.4	WBK15S-01	6002ZZ	5 600
WBK15-11C	Clean environment	5 100	2 757	63	1.3	WBK15S-01C	6002VV	5 600
WBK17-01A	General	13 400	5 800	120	3.5	WBK17S-01	6203ZZ	9 550
WBK20-01	General	17 900	8 240	155	6.2	WBK20S-01	6204ZZ	12 800
WBK20-01	General	17 900	8 240	155	6.2	WBK25SF-01*1	6005ZZ	10 100
WBK20-11	General	17 900	8 240	155	6.2	WBK20S-01	6204ZZ	12 800
WBK25-01W	General	20 200	10 000	192	7.2	WBK25S-01W	6205ZZ	14 000
WBK25-11	General	20 200	10 000	192	7.2	WBK25S-01W	6205ZZ	14 000
WBK04R-11	General	615	490	6.5	0.59	—	—	—
WBK06R-11	General	1 280	930	9	0.59	—	—	—

1. *1: Exclusive for FSS type.
2. *2: Exclusive for VFA type.
3. Permissible axial load is 0.7 times of limiting axial load.

PRECISION MACHINE COMPONENTS B 400