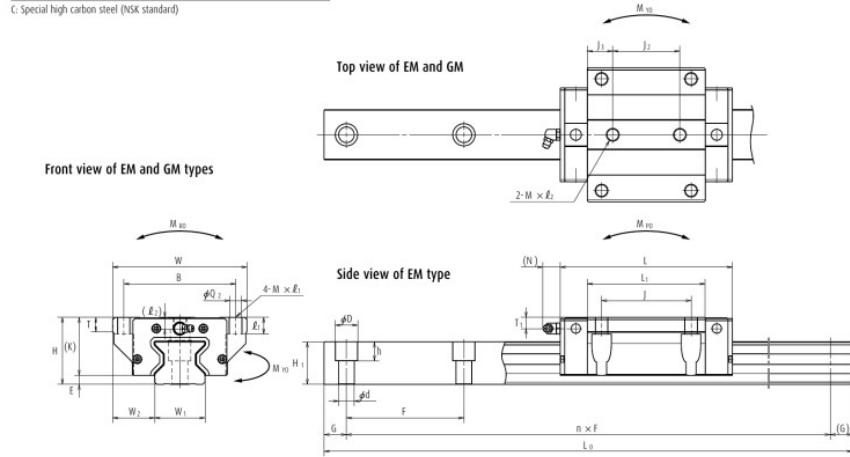
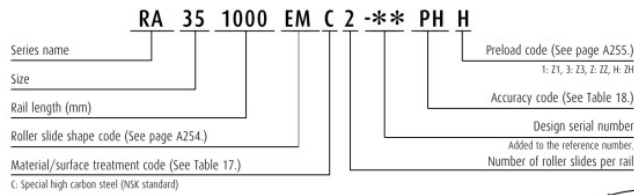


A-5-3.1 Roller Guide RA Series

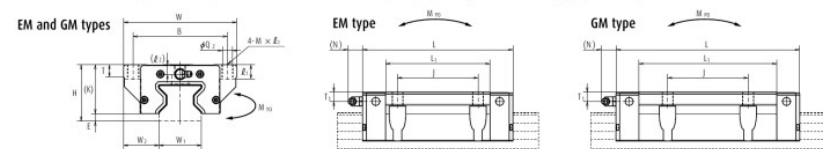
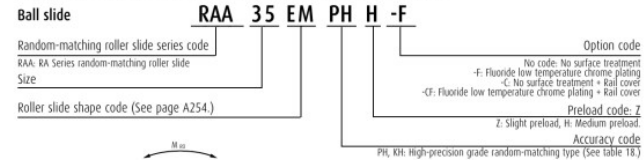
RA-EM (High-load type / Standard)
RA-GM (Super-high-load type / Long)



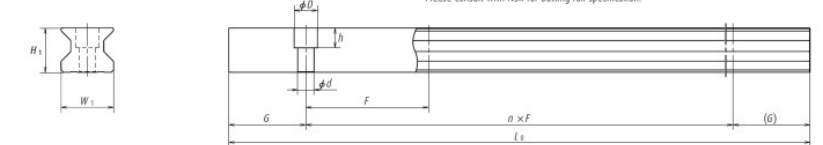
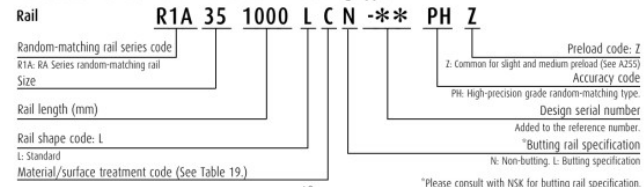
Model No.	Assembly				Ball slide										Grease fitting			
	Height	E	W ₂	Width	Length	Mounting hole					L ₁	K	T	Hole size			T ₁	N
						B	J	J ₂	M × pitch × ℓ ₁ (ℓ ₂)	O ₂				Hole size	T ₁	N		
RA15EM	24	4	16	47	70	38	30	26	M5×0.8×8.5 (6.5)	4.4	44.8	20	8	φ 3	4	3		
RA15GM	24	4	16	47	85.4	38	30	26	M5×0.8×8.5 (6.5)	4.4	60.2	20	8	φ 3	4	3		
RA20EM	30	5	21.5	63	86.5	53	40	35	M6×1×9.5 (8)	5.3	57.5	25	10	φ 3	4	3		
RA20GM	30	5	21.5	63	106.3	53	40	35	M6×1×9.5 (8)	5.3	77.3	25	10	φ 3	4	3		
RA25EM	36	5	23.5	70	97.5	57	45	40	M8×1.25×10 (11)	6.8	65.5	31	11	M6×0.75	6	11		
RA25GM	36	5	23.5	70	115.5	57	45	40	M8×1.25×10 (11)	6.8	83.5	31	11	M6×0.75	6	11		
RA30EM	42	6.5	31	90	110.8	72	52	44	M10×1.5×12 (12.5)	8.6	74	35.5	11	M6×0.75	7	11		
RA30GM	42	6.5	31	90	135.4	72	52	44	M10×1.5×12 (12.5)	8.6	98.6	35.5	11	M6×0.75	7	11		
RA35EM	48	6.5	33	100	123.8	82	62	52	M10×1.5×13 (7)	8.6	83.2	41.5	12	M6×0.75	8	11		
RA35GM	48	6.5	33	100	152	82	62	52	M10×1.5×13 (7)	8.6	111.4	41.5	12	M6×0.75	8	11		
RA45EM	60	8	37.5	120	154	100	80	60	M12×1.75×15 (10.5)	10.5	105.4	52	13	Rc1/8	10	14		
RA45GM	60	8	37.5	120	190	100	80	60	M12×1.75×15 (10.5)	10.5	141.4	52	13	Rc1/8	10	14		
RA55EM	70	9	43.5	140	184	116	95	70	M14×2×18 (13)	12.5	128	61	15	Rc1/8	11	14		
RA55GM	70	9	43.5	140	234	116	95	70	M14×2×18 (13)	12.5	178	61	15	Rc1/8	11	14		
RA65EM	90	13	53.5	170	228.4	142	110	82	M16×2×24 (18.5)	14.6	155.4	77	22	Rc1/8	19	14		
RA65GM	90	13	53.5	170	302.5	142	110	82	M16×2×24 (18.5)	14.6	229.5	77	22	Rc1/8	19	14		

Notes 1) Select either one of two F dimensions, the standard or the parenthesized semi-standard dimension, for the pitch of rail fixing bolt holes. If not specified, the standard dimension of F is applied.

Reference number for roller slide of random-matching type



Reference number for rail of random-matching type



Unit: mm

Rail					Basic load rating							Weight			
Width	Height	Pitch	Mounting bolt hole d × D × h	G (reference)	Maximum length L _{0max}	Dynamic		Static C ₀ (N)	M _{R0}	Static moment (N-m)				Ball slide (kg)	Rail (kg/m)
						[50km] C ₅₀ (N)	[100km] C ₁₀₀ (N)			M _{P0}		M _{V0}			
W ₁	H ₁	F								One slide	Two slides	One slide	Two slides		
15	16.3	60	4.5×7.5×5.3	20	2 000	12 600	10 300	27 500	260	210	1 320	210	1 320	0.21	1.6
15	16.3	(30)	4.5×7.5×5.3	20	2 000	16 000	13 000	37 000	350	375	2 130	375	2 130	0.28	1.6
20	20.8	60	6×9.5×8.5	20	3 000	23 600	19 200	52 500	665	505	3 100	505	3 100	0.45	2.6
20	20.8	(30)	6×9.5×8.5	20	3 000	29 500	24 000	70 000	890	900	5 000	900	5 000	0.65	2.6
23	24	30	7×11×9	20	3 900	36 000	29 200	72 700	970	760	4 850	760	4 850	0.80	3.4
23	24	(60)	7×11×9	20	3 900	43 500	35 400	92 900	1 240	1 240	7 200	1 240	7 200	1.1	3.4
28	28	40	9×14×12	20	3 900	47 800	38 900	93 500	1 670	1 140	7 100	1 140	7 100	1.3	4.9
28	28	(80)	9×14×12	20	3 900	58 500	47 600	121 000	2 170	1 950	11 500	1 950	11 500	1.7	4.9
34	31	40	9×14×12	20	3 900	65 500	53 300	129 000	2 810	1 800	11 000	1 800	11 000	1.7	6.8
34	31	(80)	9×14×12	20	3 900	82 900	67 400	175 000	3 810	3 250	17 800	3 250	17 800	2.3	6.8
45	38	52.5	14×20×17	22.5	3 650	114 000	92 800	229 000	6 180	4 080	24 000	4 080	24 000	3.2	10.9
45	38	(105)	14×20×17	22.5	3 650	143 000	116 000	305 000	8 240	7 150	39 000	7 150	39 000	4.3	10.9
53	43.5	60	16×23×20	30	3 600	159 000	129 000	330 000	10 200	7 060	41 000	7 060	41 000	5.4	14.6
53	43.5	(120)	16×23×20	30	3 600	207 000	168 000	462 000	14 300	13 600	72 000	13 600	72 000	7.5	14.6
63	55	75	18×26×22	35	3 600	259 000	210 000	504 000	19 200	12 700	78 500	12 700	78 500	12.2	22.0
63	55	(150)	18×26×22	35	3 600	355 000	288 000	756 000	28 700	28 600	153 000	28 600	153 000	16.5	22.0

2) The random-matching type is available for the models of RA25 to RA65.
3) The basic load rating comply with the ISO standard. (ISO 14728-1, 14728-2)
C₅₀: the basic dynamic load rating for 50 km rated fatigue life
C₁₀₀: the basic dynamic load rating for 100 km rated fatigue life