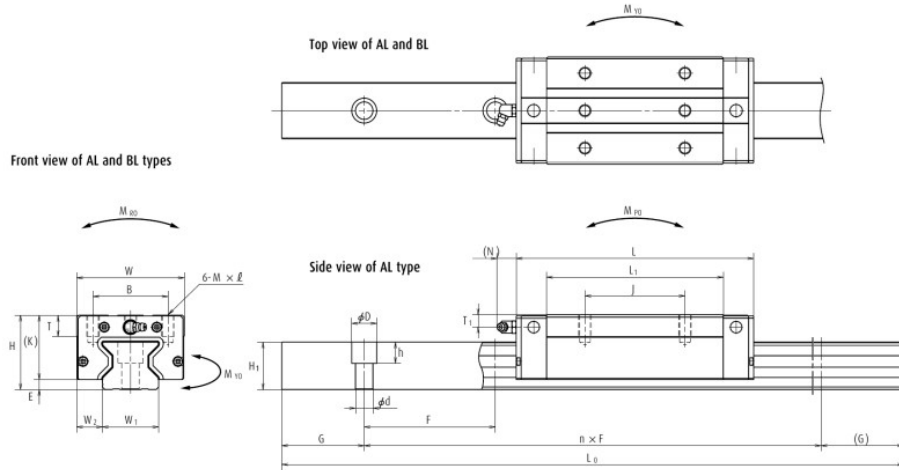
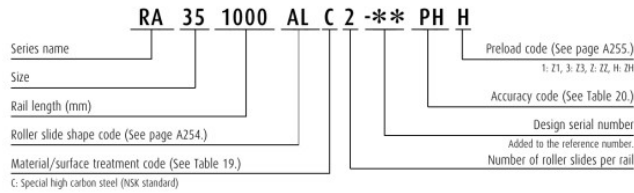


A-5-3.1 Roller Guide RA Series

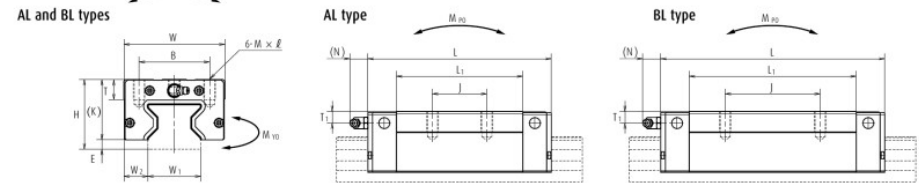
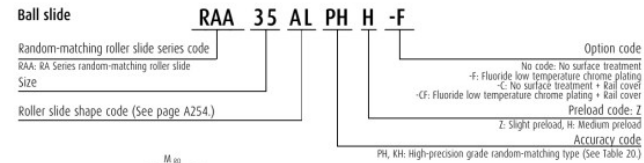
RA-AL (High-load type / Standard)
RA-BL (Super-high-load type / Long)



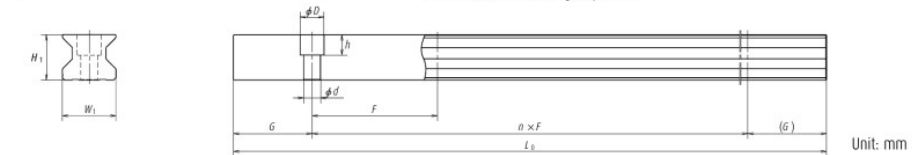
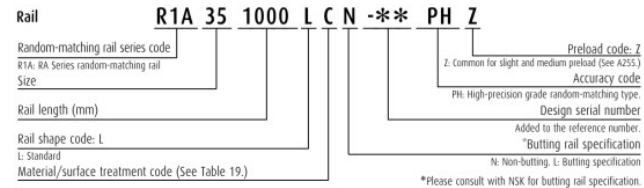
Model No.	Assembly		Ball slide											Width	Height	
	Height	E	Width	Length	Mounting hole			Grease fitting			Width	Height				
					B	J	M × pitch × ℓ	Hole size	T ₁	N						
RA15AL	24	4	9.5	34	70	26	26	M4×0.7×5.5	44.8	20	8	φ 3	4	3	15	16.3
RA15BL	24	4	9.5	34	85.4	26	26	M4×0.7×5.5	60.2	20	8	φ 3	4	3	15	16.3
RA25AL	36	5	12.5	48	97.5	35	35	M6×1×8	65.5	31	12	M6×0.75	6	11	23	24
RA25BL	36	5	12.5	48	115.5	35	50	M6×1×8	83.5	31	12	M6×0.75	6	11	23	24
RA30AL	42	6.5	16	60	110.8	40	40	M8×1.25×11	74	35.5	14	M6×0.75	7	11	28	28
RA30BL	42	6.5	16	60	135.4	40	60	M8×1.25×11	98.6	35.5	14	M6×0.75	7	11	28	28
RA35AL	48	6.5	18	70	123.8	50	50	M8×1.25×12	83.2	41.5	15	M6×0.75	8	11	34	31
RA35BL	48	6.5	18	70	152	50	72	M8×1.25×12	111.4	41.5	15	M6×0.75	8	11	34	31
RA45AL	60	8	20.5	86	154	60	60	M10×1.5×16	105.4	52	17	Rc1/8	10	14	45	38
RA45BL	60	8	20.5	86	190	60	80	M10×1.5×16	141.4	52	17	Rc1/8	10	14	45	38
RA55AL	70	9	23.5	100	184	75	75	M12×1.75×18	128	61	18	Rc1/8	11	14	53	43.5
RA55BL	70	9	23.5	100	234	75	95	M12×1.75×18	178	61	18	Rc1/8	11	14	53	43.5

Notes 1) Select either one of two F dimensions, the standard or the parenthesized semi-standard dimension, for the pitch of rail fixing bolt holes. If not specified, the standard dimension of F is applied.

Reference number for roller slide of random-matching type



Reference number for rail of random-matching type



Pitch	Mounting bolt hole d × D × h	G (reference)	Maximum length L _{0max}	Dynamic		Static C ₀ (N)	Basic load rating				Weight		
				C ₅₀ (N)	C ₁₀₀ (N)		Static moment (N-m)		Ball slide (kg)	Rail (kg/m)			
							M _{PO}	M _{YO}			One slide	Two slides	
60	4.5×7.5×5.3	20	2 000	12 600	10 300	27 500	260	210	1 320	210	1 320	0.17	1.6
(30)	4.5×7.5×5.3	20	2 000	16 000	13 000	37 000	350	375	2 130	375	2 130	0.25	1.6
30	7×11×9	20	3 900	36 000	29 200	72 700	970	760	4 850	760	4 850	0.45	3.4
(60)	7×11×9	20	3 900	43 500	35 400	92 900	1 240	1 240	7 200	1 240	7 200	0.80	3.4
40	9×14×12	20	3 900	47 800	38 900	93 500	1 670	1 140	7 100	1 140	7 100	0.85	4.9
(80)	9×14×12	20	3 900	58 500	47 600	121 000	2 170	1 950	11 500	1 950	11 500	1.1	4.9
40	9×14×12	20	3 900	65 500	53 300	129 000	2 810	1 800	11 000	1 800	11 000	1.2	6.8
(80)	9×14×12	20	3 900	82 900	67 400	175 000	3 810	3 250	17 800	3 250	17 800	1.7	6.8
52.5	14×20×17	22.5	3 650	114 000	92 800	229 000	6 180	4 080	24 000	4 080	24 000	2.5	10.9
(105)	14×20×17	22.5	3 650	143 000	116 000	305 000	8 240	7 150	39 000	7 150	39 000	3.4	10.9
60	16×23×20	30	3 600	159 000	129 000	330 000	10 200	7 060	41 000	7 060	41 000	4.1	14.6
(120)	16×23×20	30	3 600	207 000	168 000	462 000	14 300	13 600	72 000	13 600	72 000	5.7	14.6

2) The random-matching type is available for the models of RA25 to RA55.
3) The basic load rating comply with the ISO standard. (ISO 14728-1, 14728-2)
C₅₀: the basic dynamic load rating for 50 km rated fatigue life
C₁₀₀: the basic dynamic load rating for 100 km rated fatigue life